

PRODUCT INFORMATION PACKET



Model No: CZ145T17WC46A

Catalog No: 122199.00

122199.00..1.5HP..1750RPM.145TC.TEFC.230/460V.3PH.60HZ.CONT.40C.1.15SF.C
FACE.CZ145T17WC46.....WASHGUARD II.NONE.....

Paint Free



Regal and Leeson are trademarks of Regal Beloit Corporation or one of its affiliated companies.

©2018 Regal Beloit Corporation, All Rights Reserved. MC017097E





Nameplate Specifications

Output HP	1.50 Hp	Output KW	1.1 kW
Frequency	60 Hz	Voltage	208-230/460 V
Current	4.6-4.8/2.4 A	Speed	1750 rpm
Service Factor	1.15	Phase	3
Efficiency	86.5 %	Duty	Continuous
Insulation Class	F	Design Code	B
KVA Code	L	Frame	145TC
Enclosure	Totally Enclosed Fan Cooled	Overload Protector	No
Ambient Temperature	40 °C	Drive End Bearing Size	6205
Opp Drive End Bearing Size	6203	UL	Recognized
CSA	Y	CE	Y
IP Code	55		

Technical Specifications

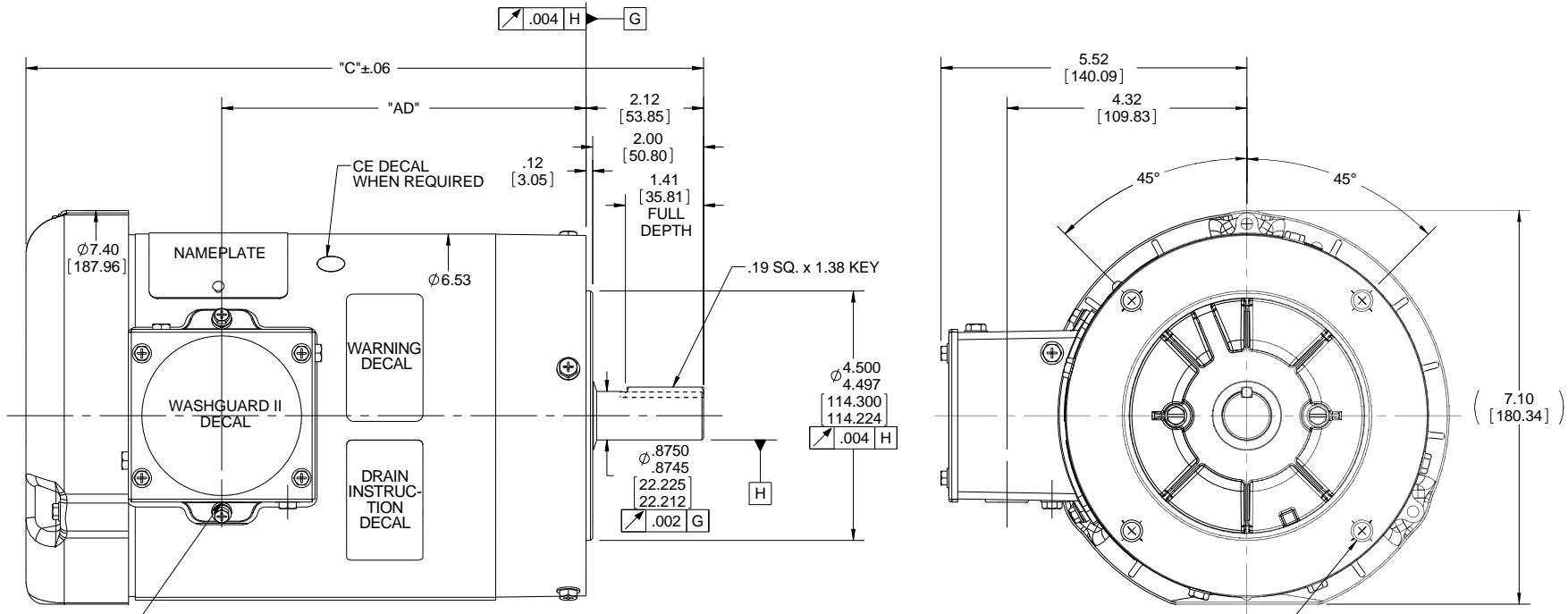
Electrical Type	Squirrel Cage Induction Run	Starting Method	Across The Line
Poles	4	Rotation	Reversible
Mounting	Round	Motor Orientation	HORIZONTAL
Drive End Bearing	BALL	Opp Drive End Bearing	BALL
Frame Material	Stainless Steel	Shaft Type	T
Overall Length	13.22 in	Frame Length	7.50 in
Shaft Diameter	0.875 in	Shaft Extension	2.25 in
Assembly/Box Mounting	F1 ONLY		
Outline Drawing	028899-750	Connection Diagram	005010.20

4

3

2

1



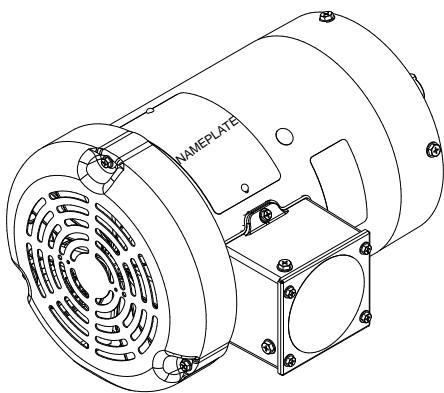
(1) 1/2-14 NPT (PLUGGED)

(4) 3/8-16 UNC-2B x .56 DP. ON A Ø5.875 B.C.

DASH NO.	"C"	"AD"
500	10.72	5.07
550	11.22	5.57
600	11.72	6.07
650	12.22	6.57
700	12.72	7.07
750	13.22	7.57
800	13.72	8.07

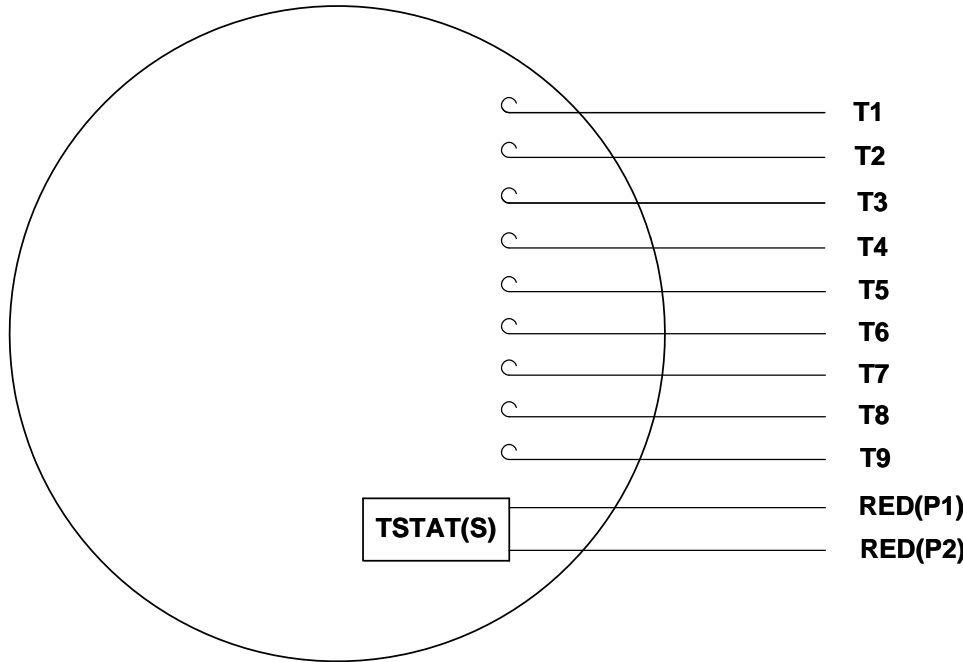
WASHGUARD II / BISSC MOTOR:

- 1) SHAFT SEALS & V-RING.
- 2) DRAIN HOLES IN ENDBELLS & CONDUIT BOX.
- 3) BUNA-N GASKETS THROUGHOUT.
- 4) STAINLESS STEEL HARDWARE, FRAME & NAMEPLATE
- 5) CORROSION RESISTANT FINISH ON ENDBELLS & CONDUIT BOX

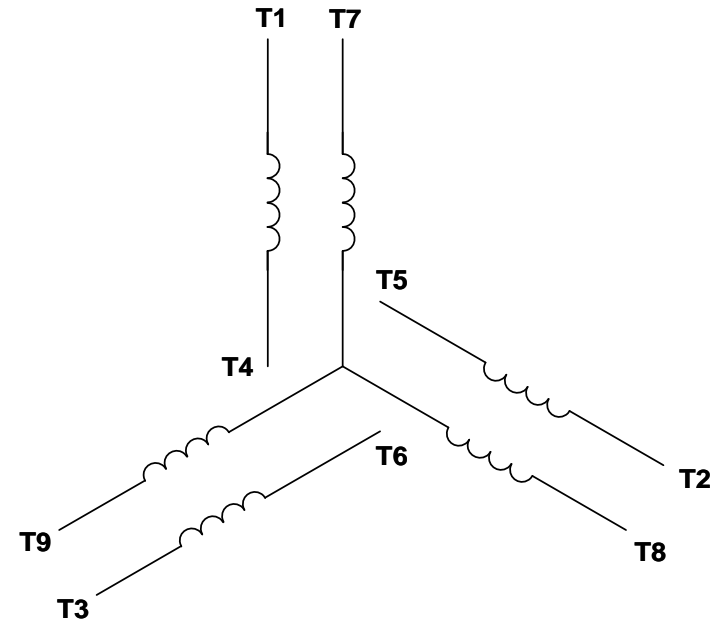


DRAWING REVISION F	REVISION BY LK	DATE 04/22/2016	TOLERANCES UNLESS OTHERWISE SPECIFIED: DEC. INCH. mm ANGLE .X ±0.1 [+2.5] ±7-30° .XX ±0.03 [+0.76] .XXX ±0.005 [+0.127] .XXXX ±0.0005 [+0.0127]	DRAWN BY GRB 10/31/08	Regal Beloit America, Inc.
ECO ECO-0100560	APPROVED BY JD	DATE 04/22/2016	REMOVE BURRS & BREAK SHARP EDGES: .003/.015 [.076/.381] X 45° CORNER FILLETS: R.02 [.51]	DATE	
ECO DESCRIPTION DASH # TABLE UPDATED COPYRIGHT REGAL BELOIT AMERICA, INC. ALL RIGHTS RESERVED. PROPRIETARY AND CONFIDENTIAL INFORMATION - THIS DOCUMENT IS THE PROPERTY OF REGAL BELOIT AMERICA, INC. ('OWNER') AND CONTAINS OWNER'S PROPRIETARY INFORMATION. ANY PERSON, CORPORATION OR OTHER FIRM RECEIVING IT IS DEEMED, BY RECEIVING IT, TO AGREE THAT IT, AND/OR ANY PART OF IT, SHALL NOT BE DISCLOSED TO ANY PERSON, CORPORATION OR OTHER ENTITY, DUPLICATED, AND/OR USED, EXCEPT AS EXPRESSLY APPROVED IN WRITING IN ADVANCE BY OWNER. THIS DOCUMENT SHALL BE RETURNED TO OWNER UPON REQUEST. IT MAY BE SUBJECT TO CERTAIN RESTRICTIONS UNDER APPLICABLE EXPORT CONTROL LAWS AND REGULATIONS.			MACHINED SURFACES: 200 $\sqrt{\text{mm}}$ 5.1 $\sqrt{\text{mm}}$ INCH $\sqrt{\text{mm}}$	APPROVED BY	DESCRIPTION OUTLINE TEFC - "C" FACE
			THIRD ANGLE PROJECTION	REFERENCE	MATERIAL WASHGUARD
				SIZE B	PROCESS/FINISH
				DRAWING NUMBER 028899	SHEET 1 OF 1

VIEW FROM OUTSIDE OF MOTOR AT SWITCH END. Uncontrolled Copy



LINE LEADS



VOLTAGE	L1	L2	L3	JOIN & INSULATE
HIGH	T1	T2	T3	(T4,T7) (T5,T8) (T6,T9)
LOW	T1,T7	T2,T8	T3,T9	T4,T5,T6

DRAWING REVISION **G** REVISION BY **MVG** DATE **04/05/2017**

ECO **ECO-0121253** APPROVED BY **SM** DATE **04/05/2017**

ECO DESCRIPTION
ADDED P1 & P2 FOR TSTAT

COPYRIGHT REGAL BELOIT AMERICA, INC. ALL RIGHTS RESERVED.
PROPRIETARY AND CONFIDENTIAL INFORMATION - THIS DOCUMENT IS THE PROPERTY OF
REGAL BELOIT AMERICA, INC. ('OWNER') AND CONTAINS OWNER'S PROPRIETARY
INFORMATION. ANY PERSON, CORPORATION OR OTHER FIRM RECEIVING IT IS DEEMED,
BY RECEIVING IT, TO AGREE THAT IT, AND/OR ANY PART OF IT, SHALL NOT BE DISCLOSED
TO ANY PERSON, CORPORATION OR OTHER ENTITY, DUPLICATED, AND/OR USED, EXCEPT
AS EXPRESSLY APPROVED IN WRITING IN ADVANCE BY OWNER. THIS DOCUMENT SHALL
BE RETURNED TO OWNER UPON REQUEST. IT MAY BE SUBJECT TO CERTAIN
RESTRICTIONS UNDER APPLICABLE EXPORT CONTROL LAWS AND REGULATIONS.

TOLERANCES UNLESS OTHERWISE SPECIFIED:

DEC.	INCH	mm	ANGLE
.X	±0.1	[±2.5]	±0.5°
.XX	±0.01	[±0.25]	
.XXX	±0.005	[±0.127]	
.XXXX	±0.0005	[±0.0127]	

REMOVE BURRS & BREAK SHARP EDGES: .003/.015 [.076/.381] X 45°
CORNER FILLETS: R.02 [.51]
MACHINED SURFACES: 125/3.2 INCH/mm
mm SHOWN IN [BRACKETS]

DRAWN BY **DBT 12/16/97**

DATE

APPROVED BY **KH 12/17/97**

DATE

REFERENCE

THIRD ANGLE PROJECTION

REGAL™ Regal Beloit America, Inc.

DESCRIPTION
CONN DIAGRAM-EXTERNAL
3 PHASE WITH PROTECTOR

MATERIAL **DECAL - 004014 (TSTAT) - 080582** PROCESS/FINISH **STOCK**

SIZE **A** DRAWING NUMBER **00501020** SHEET **1 OF 1**



P.O. BOX 8003
WAUSAU, WI 54401-8003
PH. 715-675-3311

DATA VOLTS: 460

CERTIFICATION DATA SHEET

CONN. DIAGRAM: 005010.20
OUTLINE: 028899-750
WINDING: T634341

CAT #: 122199.00

FR 3

TYPICAL MOTOR PERFORMANCE DATA

HP	KW	SYNC RPM	FL RPM	FRAME	ENCLOSURE	TYPE	KVA CODE	DESIGN			
1.5	1.1	1800	1750	145TC	TEFC	TFR	L	B			
PH	HZ	VOLTS	AMPS	START TYPE	DUTY	INSL	S.F.	AMB	ELEV.		
3	60/50	208-230/460#190/380	4.4-4.3/2.15/3.6/1.8	ACROSS THE LINE	CONT	F	1.15	40	3300		
	F.L. EFF	86.5	3/4 LD EFF	87.2	1/2 LD EFF	84.0	GTD EFF		ELECT. TYPE		
	F.L. PF	67.7	3/4 LD PF	63.0	1/2 LD PF	55.0	0.0		SO CAGE IND RUN		
	F.L. TORQUE	LR AMPS @ 460 V	17.2	LB-FT	382%	20.4	LB-FT	45	F.L. RISE (°C)		
	4.5 LB-FT	18.5									
	PRESSURE @ 3	POWER	ROTOR WK²	MAX. LOAD WK²	SAFE STALL TIME	STARTS/HOUR	MOTOR WGT				
	65 DBA	74 DBA	0.14	LB-FT²	0.1	LB-FT²	10	SEC.	3	0	LB.

*** SUPPLEMENTAL INFORMATION ***

DE BRACKET TYPE	ODE BRACKET TYPE	MOUNT TYPE	MOTOR ORIENTATION	SEVERE DUTY	HAZARDOUS LOCATION	DRIIP COVER	SCREENS	PAINT
C-FACE	STANDARD	ROUND	HORIZONTAL	NO	NONE	NO	NONE	ITE - LEESON (EPO
BEARINGS DE	GREASE	SHAFT TYPE	SPECIAL DE	SPECIAL ODE	SHAFT MATERIAL	FRAME MATERIAL		
BALL BALL 6205	POLYREX EM 6203	T	NONE	NONE	303 STAINLESS (C-501)	STAINLESS STEEL		

THERMOSTATS TSTATS (N/C)	PROTECTORS	WDG RTD's	BRG RTD's	THERMISTORS	CONTROL	SPACE HEATERS
	NOT	NONE	NONE	NONE	FALSE	NA
R1 (ohms/ph)	R2 (ohms/ph)	X1 (ohms/ph)	X2 (ohms/ph)	Xm (ohms/ph)	VIBRATION (in/sec)	FLOAT ODE
0	0	0	0	0	0.080	ODE

* N O T E S *	INVERTER TORQUE: NONE INV. HP SPEED RANGE: NONE	ENCODER: NONE NONE NONE	BRAKE: NONE NONE NONE	NONE PPR
---------------------------------	--	-------------------------------	-----------------------------	----------

DATE: 1/19/2018	UL: Y:(LEESON UL REC)	FT-LB: NA	NONE	HZ:
-----------------	-----------------------	-----------	------	-----



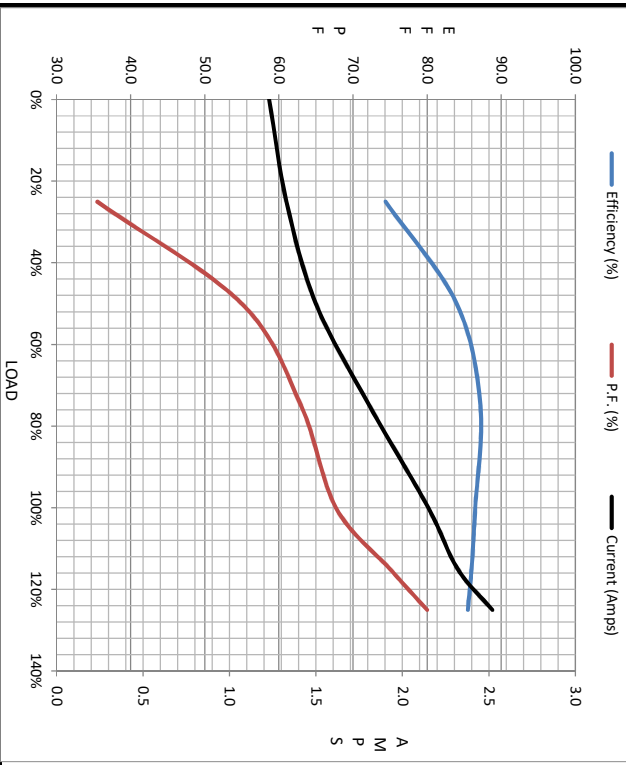
Motor Load Data						LR	
Load	0%	25%	50%	75%	100%	115%	125%
Current (Amps)	1.23	1.33	1.50	1.81	2.15	2.32	2.52
Torque (ft-lb)	0.00	1.10	2.25	3.4	4.5	5.2	5.6
RPM	1800	1785	1772	1760	1750	1738	1732
Efficiency (%)		74.4	84.0	87.2	88.5	86.0	85.5
P.F. (%)	9.9	35.5	55.0	63.0	67.7	75.0	80.0

Motor Speed Data

	LR	Pull-Up	BD	Rated	Idle
Speed (RPM)	0	900	1600	1750	1800
Current (Amps)	18.5	16.1	12.1	2.15	1.23
Torque (ft-lb)	17.2	16.0	20.4	4.5	0.00

Information Block

HP	1.5
Sync. RPM	1800
Frame	140
Enclosure	TEFC
Construction	TFR
Voltage	208-230/460#190/380 V
Frequency	60 Hz
Design	B
LR Code letter	L
Service Factor	1.15
Temp Rise @ FL	45 °C
Duty	CONT
Ambient	40 °C
Elevation	1,000 feet
Rotor/Shaft wk ²	0.14 Lb-Ft ²
Ref Wdg	T634341 FR
Sound Pressure @ 1M	65 dBA
VFD Rating	NONE
Outline Dwg	028899-750
Conn. Diag	005010.20
Additional Specifications:	
0	
EQUIV CKT (OHMS / PHASE)	
R1	R2
0.0000	0.0000
X1	X2
0.0000	0.0000
Xm	
0.0000	



Speed - Torque Curve

